

XM500 I/O Module

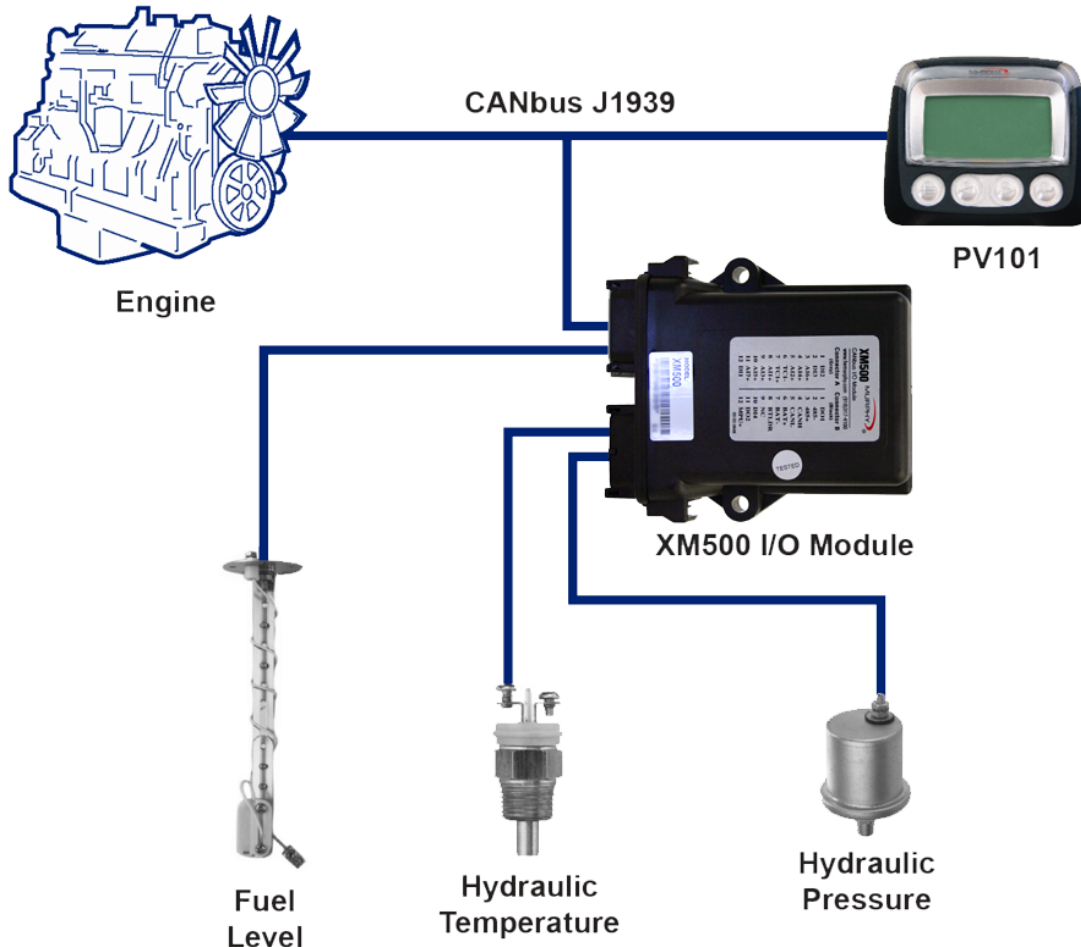


Features

- Adds I/O to J1939 Network
- Works with Standard J1939 Display Modules
- Wide Operating Temperature range
- Industry standard Deutsch enclosure and connectors
- Custom programming available
- Easy-to-use Configuration Tool Available

The XM500 Module is a configurable Input/Output (I/O) module designed to bring analog and digital inputs and output onto the SAE J1939 Controller Area Network. The XM500 Config Tool provides a user-friendly interface allowing the user to create or change the configuration used on the XM500 module.

Your application may require monitoring of other information which may not be provided by the OEM Engine or Transmission Electronic Control Unit (ECU), such as Fuel Level, Hydraulic Oil Pressure, or a Low Engine Coolant Level switch. The XM500 is ideally suited to bring the additional information you need onto the J1939 CANBus, and can be configured to broadcast fault codes and activate digital outputs per input condition such as Fuel Level Low, Hydraulic Oil Temperature High, etc. Because the XM500 broadcasts information using the J1939 standard protocol, the information can be displayed using standard J1939 display modules, such as the PowerView PV101.



Specifications

Power Input: 8 to 28VDC

Operating Temperature: -40 to 85°C (-40° to 185°F)

Digital Inputs: 4 - Ground or battery positive activation

Digital Outputs*: 2 Sinking (500 mA)

*(Outputs are NOT reverse polarity protected. Damage will occur if B+ is connected to the outputs.)

Damage incurred from improper installation is not covered under the FW Murphy limited warranty policy.)

Thermocouple Input¹: Type K and Type J

Analog Inputs²:

1 - Battery Supply Voltage (dedicated)

7 - Configurable as 0-5VDC, 4-20mA, resistive senders³ or used as an additional Digital Input

Speed Sensing Input: Magnetic Pick-up (2 to 120VAC RMS from 30 to 10,000 Hz)

Communication Ports: CAN J1939

Product Weight: 10 ounces

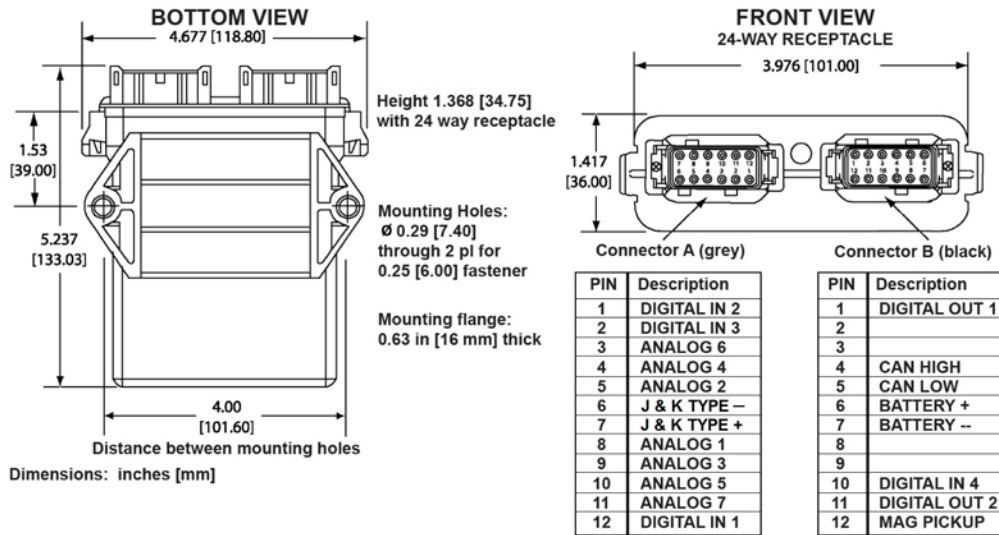
Shipping Weight: 12 ounces

Shipping Dimensions: 4" x 6" x 2"

¹When the thermocouple input is used, only 5 resistive, 4-20 mA, or 0-5 VDC can be used instead of 7.

²Analog inputs can be exchanged for digital inputs (battery ground activation only), for a total of eleven digital inputs.

³Other resistive senders can be supported. Contact FW Murphy's Industrial Panel Division for programming charges.



How to Order

Part # Description
 78700420 - XM500 Murphy Standard (To determine other configurations, review XM500 Config & Wiring documents at www.fwmurphy.com.)

78700534 - XM500 Configuration Tool

Wiring Harnessing:

30000669 - 6' harness with terminating resistor

30000670 - 12' harness with terminating resistor

MURPHY摩菲仪表授权经销商

CNMEC Technology (Beijing) Co.,Ltd.

信德迈科技(北京)有限公司

地址：北京市朝阳区胜古中路2号金基业大厦201室

邮编：100029

电话：010- 8428 2935, 8428 9077,

Http：[//www.cnmec.com](http://www.cnmec.com)

Email: sales@cnmec.biz

传真：010-8428 8762